

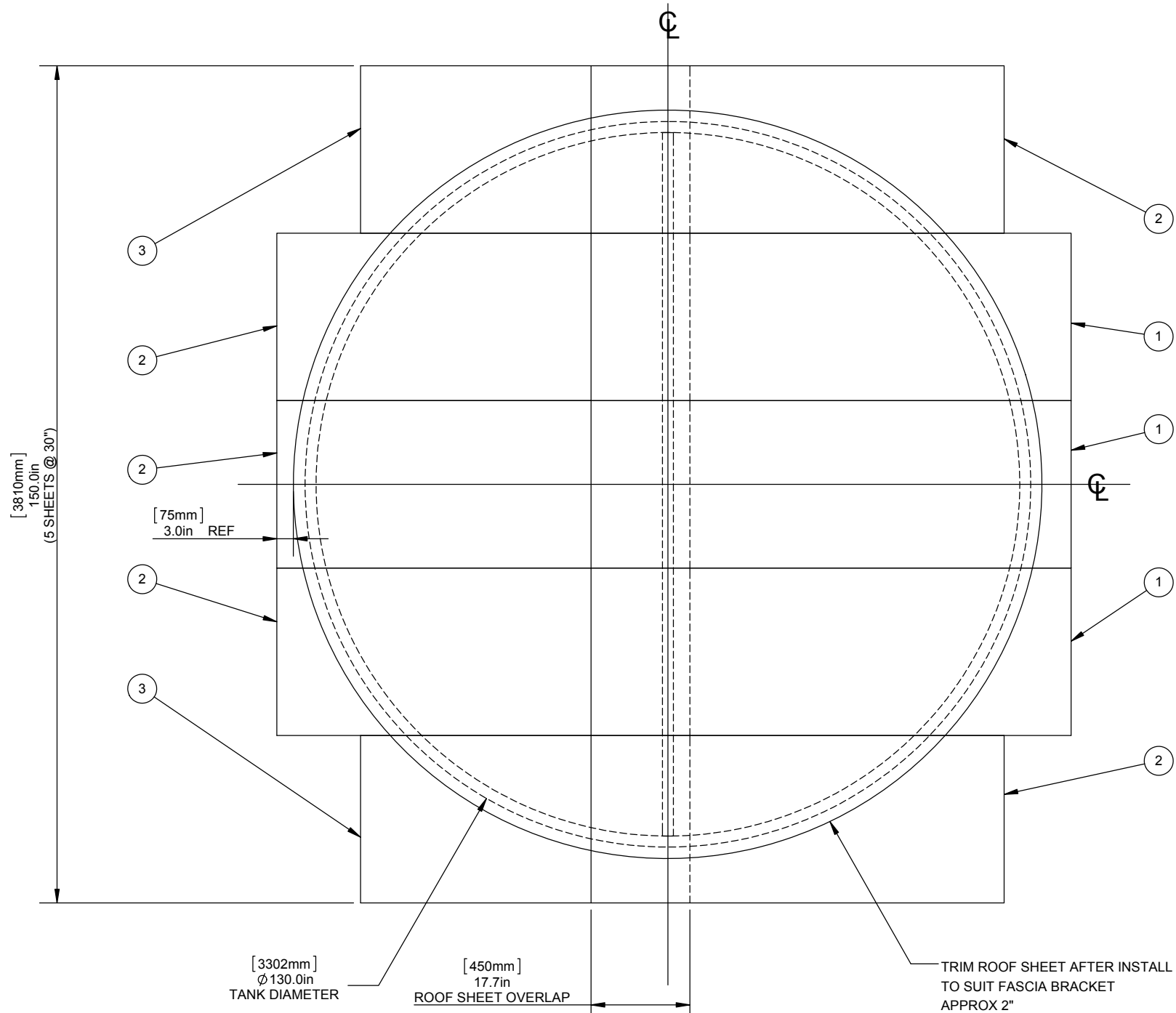
4

3


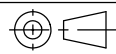
2

1

ITEM NO.	DESCRIPTION	Length	QTY.
1	CORRUGATED ROOF SHEETING ZINCALUME 0.42 BMT	86.0	3
2	CORRUGATED ROOF SHEETING ZINCALUME 0.42 BMT	74.0	5
3	CORRUGATED ROOF SHEETING ZINCALUME 0.42 BMT	59.0	2



ROOF SHEET LAYOUT SCHEMATIC

 aquamatetanks.com 4132 Atlanta Hwy, Suite 110 #314, Loganville GA 30052 844.320.8265 info@aquamatetanks.com	INIT.	DATE	AQUAMATE TANKS ROOF SHEET LAYOUT CA5000 TANK - 5000 GALLONS 130" DIAMETER x 87" TALL				
	DRAWN BY	JC 24 JAN 20					
	CHECKED	DD 24 JAN 20					
	APPROVED						
ISSUED							
	[MILLIMETERS] INCHES	SCALE NOTED	SHEET SHEET 1	PROJ. No. NA	DWG No. URI-RX-DCA5-000	REV A	SHEET ANSI B

REV.	DESCRIPTION	DATE	DRN	APPROVED
A	ISSUE FOR INFORMATION	24 JAN 20	JC	DD
REVISIONS				

4

3

2

1

B

B

A

A